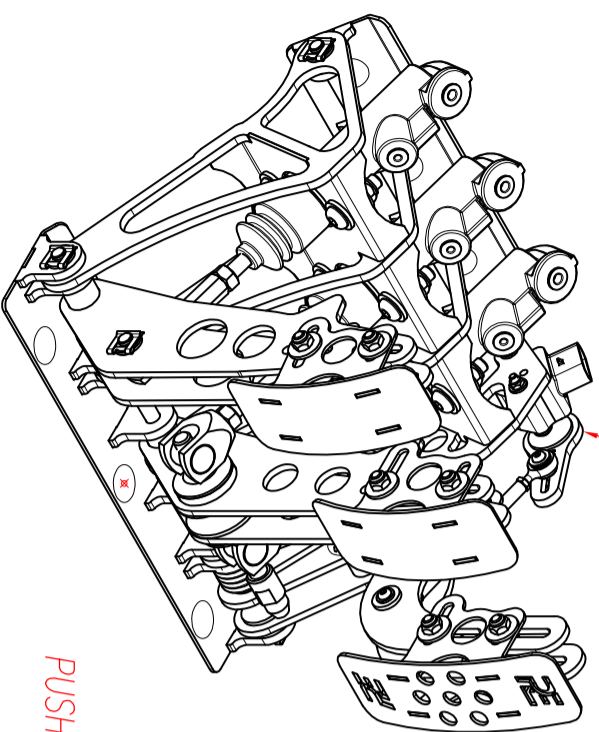
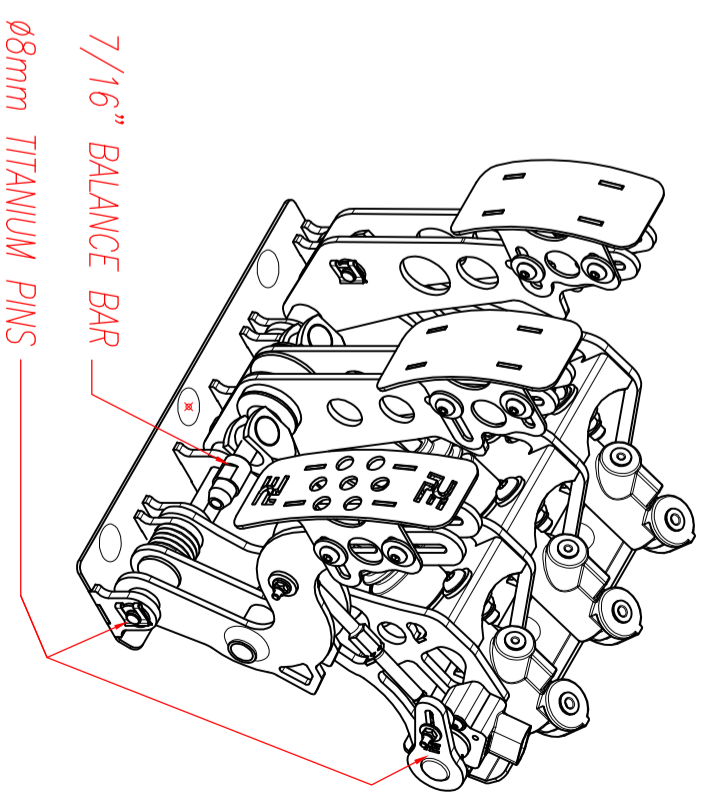
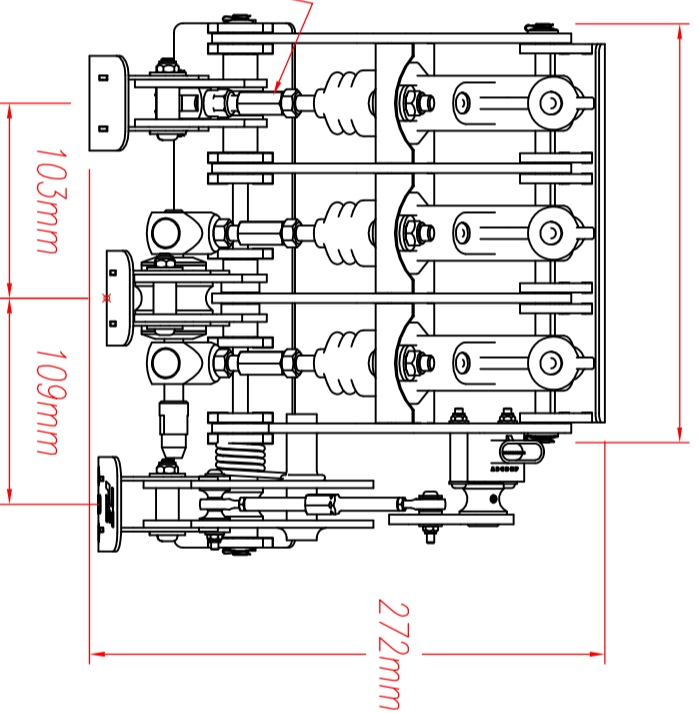


Copyright: These drawings and design remain the property of Perusic Engineering and may not be used in whole or in part without written permission of the owner. Legal action will be taken against any person infringing the copyright.

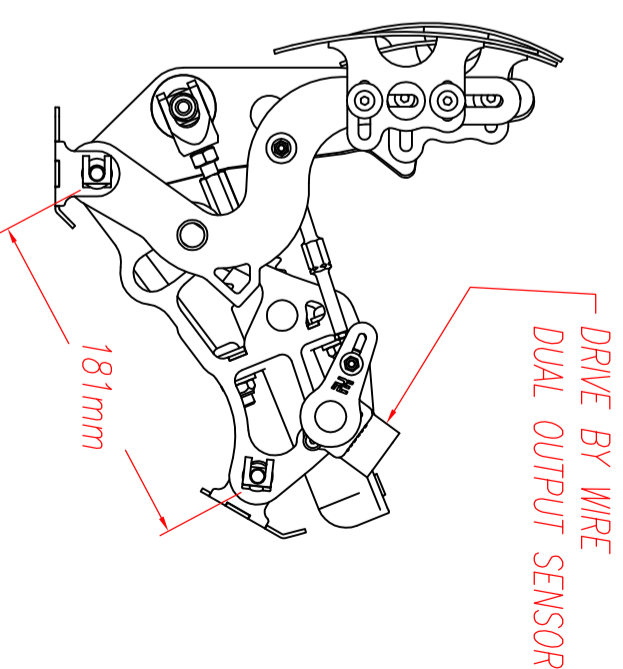
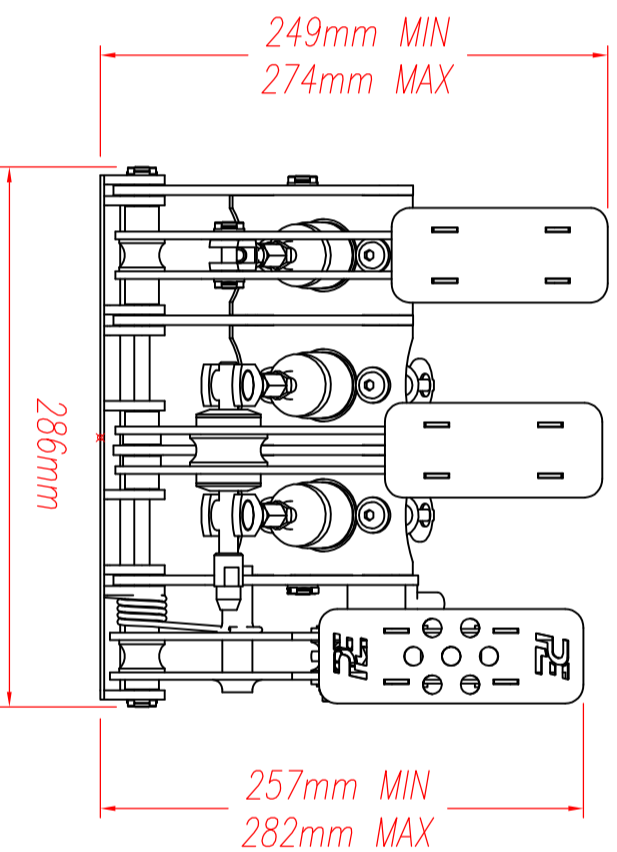
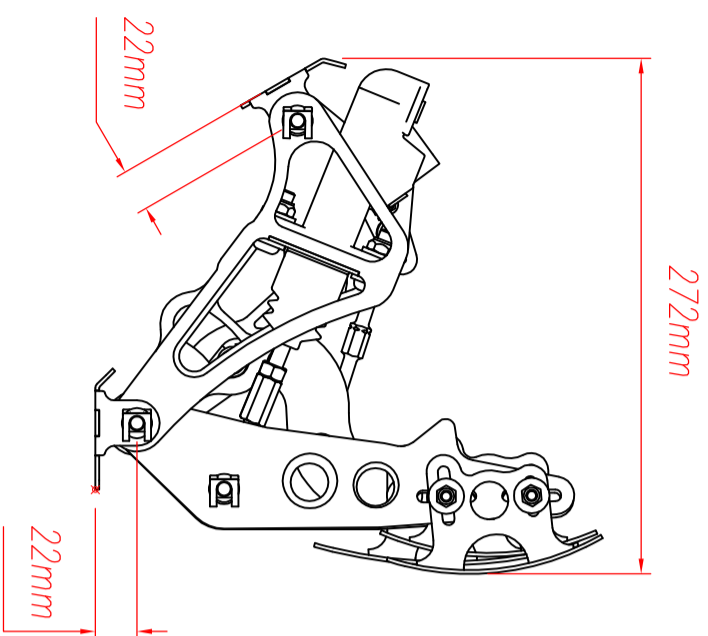


DUAL OUTPUT,
NON-CONTACT 0.5-4.5VDC
POTENTIOMETER

5/16" x 24 TPI
PUSHRODS & FITTINGS



7/16" BALANCE BAR
ø8mm TITANIUM PINS



DRIVE BY WIRE
DUAL OUTPUT SENSOR

181mm

Pat.Pend PCT/AU2015/000237



REV	DETAIL	DATE	DRAWN
1	V12-SUPERSEDE PREVIOUS DRAWINGS	23-01-2016	DP

PERUSIC engineering
 • Innovate • Customise • Deliver
 PO Box 6054, THE OAKS, NSW, 2570
 P (AUS): +61 246 571 521
 M: +61 415 586 890
 E: info@perusic.com.au
 W: www.perusic.com.au

PE RACING, FBW PEDAL BOX.
 #PE-002-1001 GENERAL ASSEMBLY VIEWS.
 GENERAL ASSEMBLY DIMENSIONS.
 ADDITIONAL TO INSTALLATION INSTRUCTIONS.

SCALE:	DRAWN:	CHECKED:	DATE:	DWG NO.	SHEET
1 : 4	DP		23/01/2016	A3-PB-01-3	A3