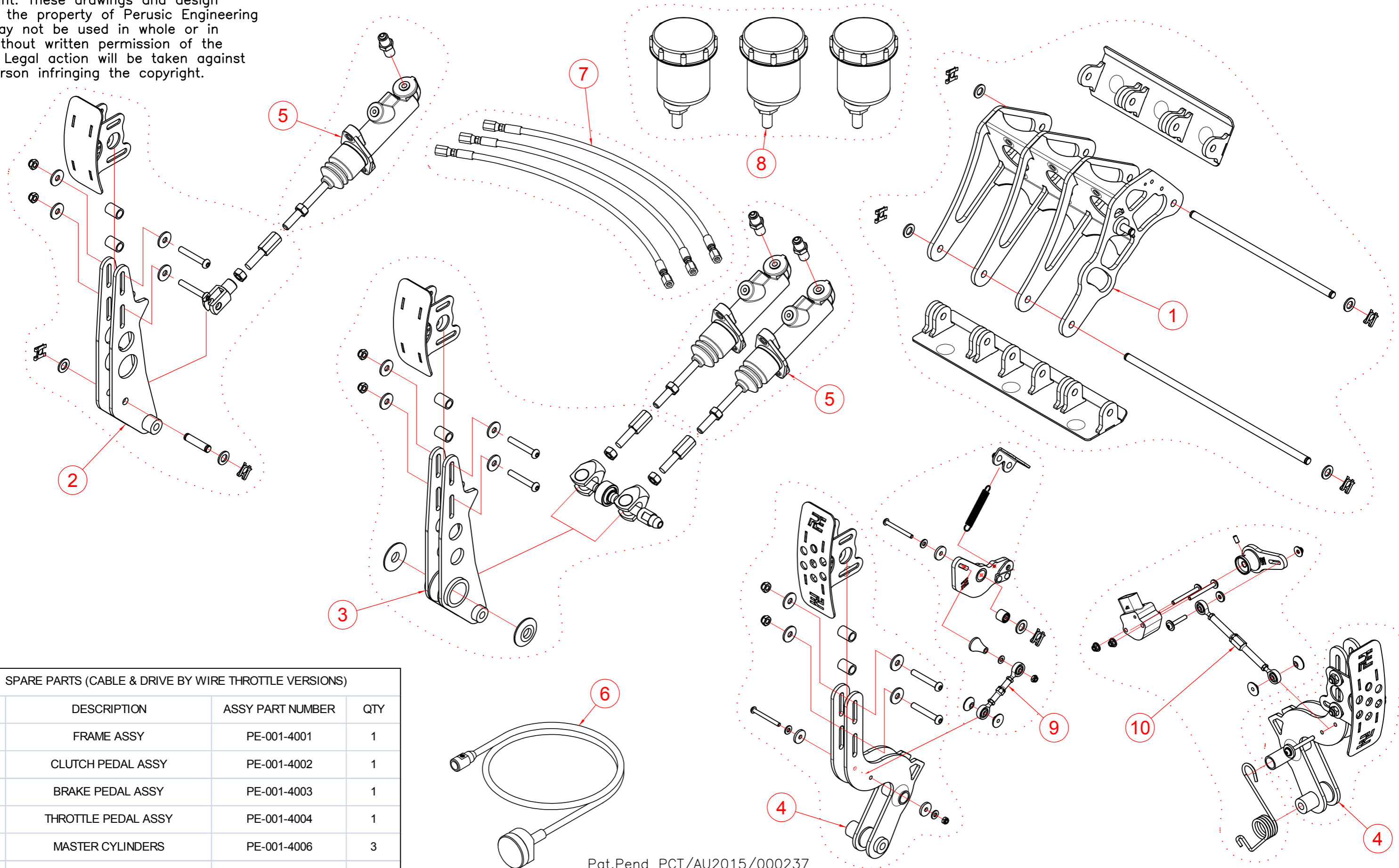


Copyright: These drawings and design remain the property of Perusic Engineering and may not be used in whole or in part without written permission of the owner. Legal action will be taken against any person infringing the copyright.



| SPARE PARTS (CABLE & DRIVE BY WIRE THROTTLE VERSIONS) | | | |
|---|-----------------------------|------------------|-----|
| ITEM | DESCRIPTION | ASSY PART NUMBER | QTY |
| 1 | FRAME ASSY | PE-001-4001 | 1 |
| 2 | CLUTCH PEDAL ASSY | PE-001-4002 | 1 |
| 3 | BRAKE PEDAL ASSY | PE-001-4003 | 1 |
| 4 | THROTTLE PEDAL ASSY | PE-001-4004 | 1 |
| 5 | MASTER CYLINDERS | PE-001-4006 | 3 |
| 6 | BIAS ADJUSTER CABLE | PE-001-4007 | 1 |
| 7 | RESERVOIR HOSES | PE-001-4008 | 3 |
| 8 | FLUID RESERVOIRS | PE-001-4009 | 3 |
| 9 | CABLE THROTTLE LINKAGE ASSY | PE-001-4010 | 1 |
| 10 | FBW THROTTLE LINKAGE ASSY | PE-002-4010 | 1 |



Pat.Pend PCT/AU2015/000237

| REV | DETAIL | DATE | DRAWN |
|-----|--------|------|-------|
| | | | |

PERUSIC
engineering
•Innovate •Customise •Deliver

PO Box 6054, THE OAKS, NSW, 2570
P (ah): +61 246 571 521
M: +61 415 586 890
E: info@pengengineering.com.au
W: www.perusicengineering.com.au

PE RACING PEDAL BOX.
CABLE & FBW THROTTLE VERSIONS.
EXPLODED ASSEMBLY.
FOR KITS #PE-001-1001 & #PE-002-1001

| | | | | | |
|--------|--------|----------|----------|------------|-------|
| SCALE: | DRAWN: | CHECKED: | DATE : | DWG NO. | SHEET |
| 1 : 4 | DP | | 4/2/2016 | A3-PB-08-8 | A3 |