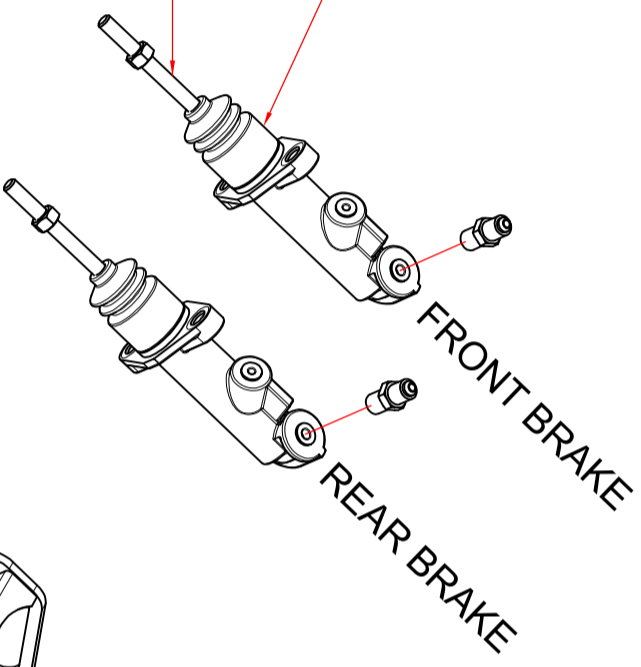


Copyright: These drawings and design remain the property of Perusic Engineering and may not be used in whole or in part without written permission of the owner. Legal action will be taken against any person infringing the copyright.

STANDARD KIT FITTED WITH:
 FRONT BRAKE 0.625"
 REAR BRAKE 0.75"



5 PE-001-4006

1 PE-003-4001

PE-001-4009 8

PE-001-4008 7

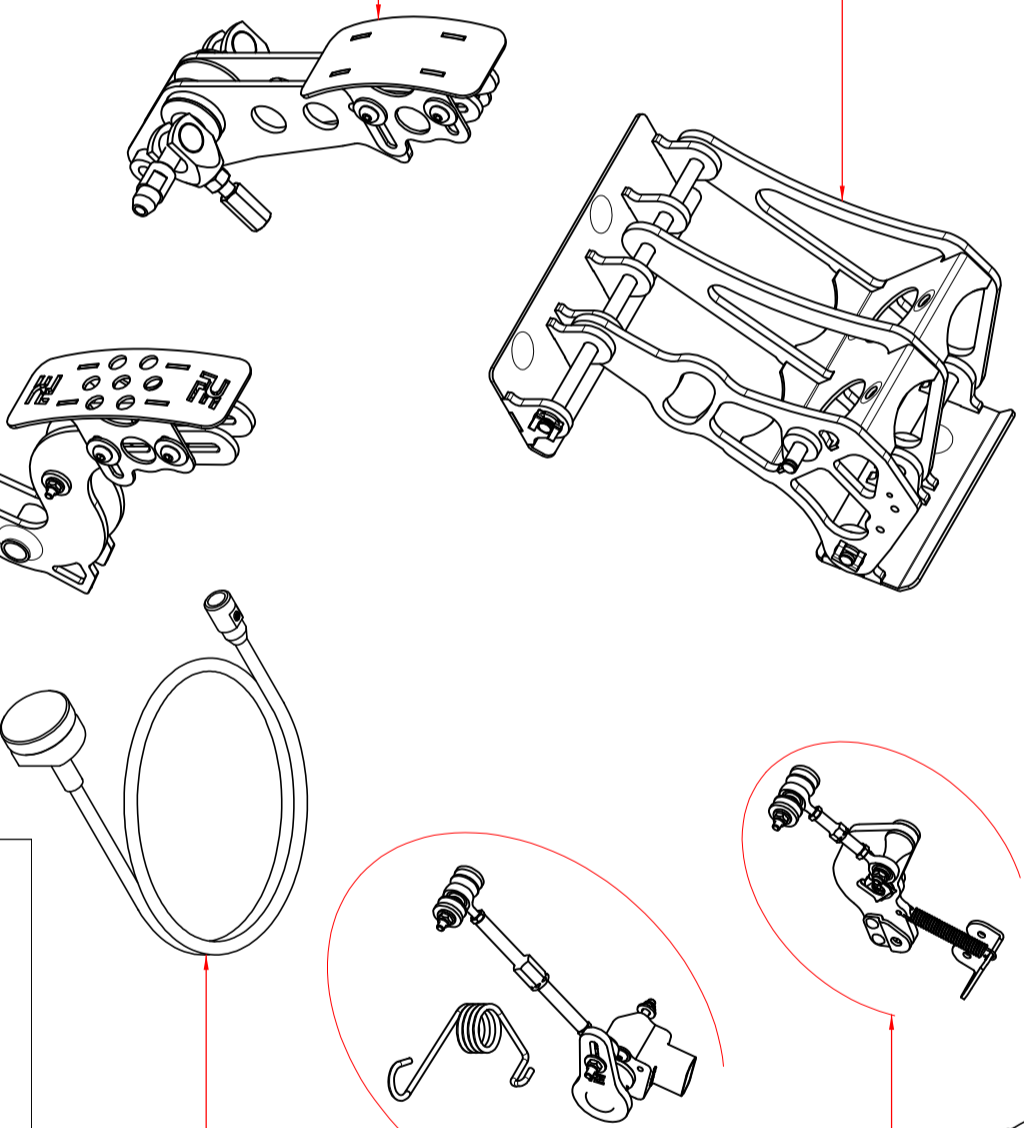
PE-001-4010 9

CABLE THROTTLE

PE-002-4010 10

FBW THROTTLE

PE-001-4007 6



3 PE-001-4003

4 PE-001-4004

AUTO SPARE PARTS (CABLE & DRIVE BY WIRE THROTTLE VERSIONS)			
ITEM	DESCRIPTION	ASSY PART NUMBER	QTY
1	FRAME ASSY	PE-003-4001	1
3	BRAKE PEDAL ASSY	PE-001-4003	1
4	THROTTLE PEDAL ASSY	PE-001-4004	1
5	MASTER CYLINDERS	PE-001-4006	2
6	BIAS ADJUSTER CABLE	PE-001-4007	1
7	RESERVOIR HOSES	PE-001-4008	2
8	FLUID RESERVOIRS	PE-001-4009	2
9	CABLE THROTTLE LINKAGE ASSY	PE-001-4010	1
10	FBW THROTTLE LINKAGE ASSY	PE-002-4010	1

Pat.Pend PCT/AU2015/000237

MASTER CYLINDER DESIGNATION					
PART NUMBER	BORE	STROKE	INLET PORT	OUTLET PORT	VOLUME IN ³
PE-001-3039	0.625"	1.375"	AN-4 7/16" x 20 TPI	AN-3 3/8" x 24 TPI	0.307
PE-001-3040	0.7"	1.375"	AN-4 7/16" x 20 TPI	AN-3 3/8" x 24 TPI	0.385
PE-001-3041	0.75"	1.375"	AN-4 7/16" x 20 TPI	AN-3 3/8" x 24 TPI	0.442



REV	DETAIL	DATE	DRAWN

PERUSIC engineering
 • Innovate • Customise • Deliver
 PO Box 6054, THE OAKS, NSW, 2570
 P (AU): +61 246 571 521
 M: +61 415 386 890
 E: info@perusic.com.au
 W: www.perusic.com.au

PE RACING AUTO PEDAL BOX.
 CABLE & FBW THROTTLE VERSIONS.
 ASSEMBLY SPARE PARTS.
 FOR KITS #PE-003-1001 & #PE-004-1001

SCALE: 1 : 4
 DRAWN: DP
 CHECKED: 19/10/2016
 DWG NO. A3-PB-08A
 SHEET A3